



Project _____

Item No. _____

Quantity _____

ROUND SINAQUA™

ROUND SINAQUA™

Round Drop-in Waterless Buffet Warmer



FEATURES

- Available in 650 watts and two sizes – 11.25" (286 mm) and 14.75" (375 mm)*
- Waterless, drop-in design with aluminum housing and a high-impact, easy-to-clean polycarbonate interior surface
- Four standard set temperatures with more temperatures available via controller
- LED display
- Automatic pan detection allows for instant energy transmission to pan; almost no energy consumption when pan is not present
- Lock feature prevents unwanted setting changes
- Microprocessor monitors vital components to check for overheating, power supply issues, and more
- Standard Cat 5e or Cat 6 patch cable from unit to control box included
- Available in 100–120 VAC or 200–240 VAC, single phase
- Includes plug and cord (6 ft. nominal)
- One-year limited parts and labor warranty – U.S. and Canada

PERFORMANCE

The CookTek® Drop-in SinAqua™ is a waterless buffet warmer featuring an aluminum housing and a high-impact polycarbonate interior surface. The SinAqua™ requires no water lines or drains, and has precise temperature holding for each pan to maximize food quality. Each unit is programmed with an automatic pan detection feature to ensure maximum and efficient warming of induction-compatible pans.*

ACCESSORIES (NOT INCLUDED)

- 11.25" (286 mm) Round Pan (Part # CT-104634)
- 14.75" (375 mm) Round Pan (Part # CT-104635)



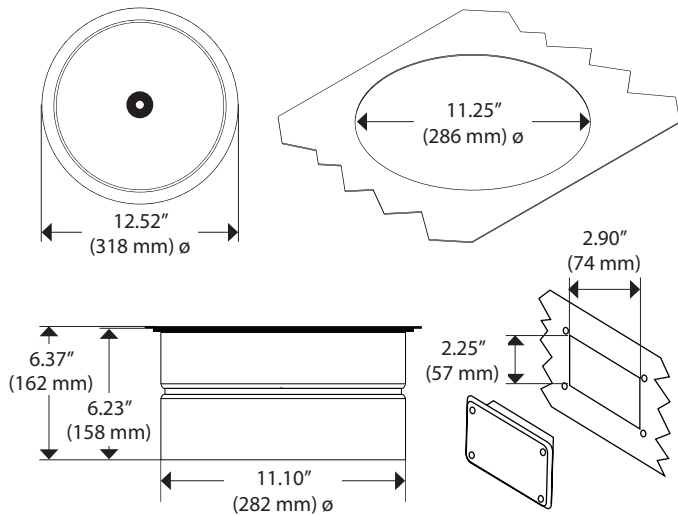
CT-104634 (11.25"/286 mm)
CT-104635 (14.75"/375 mm)

CERTIFICATIONS

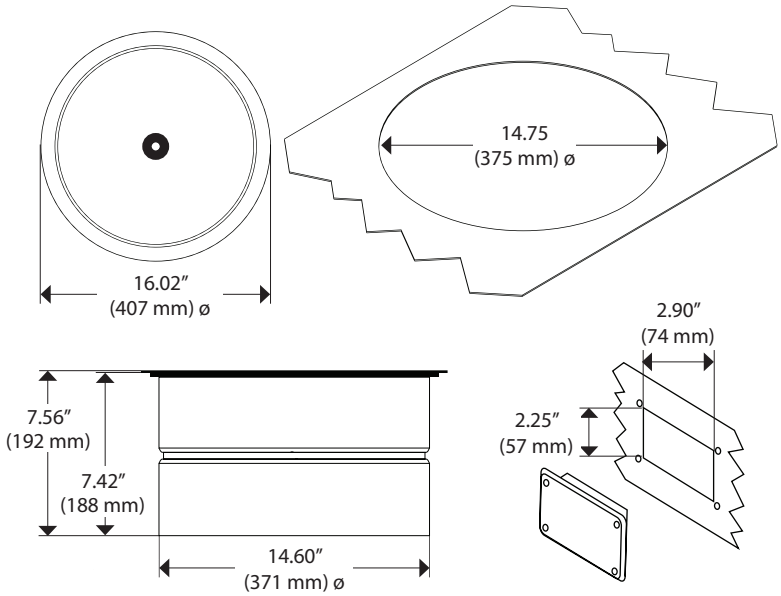


*SinAqua Drop-in Buffet Warmers are designed to be used with induction-compatible pans. The round models must be used with CookTek round pans (not included with purchase of unit. 11.25" and 14.75" round pans available as accessories).

It is the owner and installer's responsibility to comply with all local codes. CookTek reserves the right to make substitutions of components or change specifications without prior notice.



11" Round Drop-in SinAqua



14" Round Drop-in SinAqua

DIMENSIONS			
MODEL	11.25" (286 mm) ROUND	14.75" (375 mm) ROUND	
Full Unit Height	6.37" (162 mm)	7.56" (192 mm)	
Internal (Usable) Height	2.50" (63.5 mm)	6.50" (165 mm)	
Full Unit Diameter	12.52" (318 mm)	16.02" (407 mm)	
Housing Diameter	11.10" (282 mm)	14.60" (371 mm)	
Cutout Diameter	11.25" (286 mm)	14.75" (375 mm)	
Weight	8.25 lb. (3.7 kg)	9.75 lb. (4.4 kg)	
CLEARANCE			
Front	2" (51 mm)		
Sides	2" (51 mm)		
Rear	2" (51 mm)		
Below	6" (152 mm)		
SHIPPING INFORMATION			
Packaged Height	9" (229 mm)	13" (330 mm)	
Packaged Width	20" (508 mm)	20" (508 mm)	
Packaged Depth	20" (508 mm)	23" (584 mm)	
Packaged Weight	13 lb. (5.9 kg)	17 lb. (7.7 kg)	
Item Class	250 NMFC #26710		
11.25" (286 MM) ROUND ELECTRICAL SPECIFICATIONS (SINGLE PHASE)			
IDW650S			
UNITED STATES/ CANADA	663601	100-120 V, 50/60 Hz, 650 W	NEMA 5-15P
IDW652S			
UNITED STATES/ CANADA	665101	200-240 V, 50/60 Hz, 650 W	NEMA 6-20P
UK/SAUDI ARABIA	665102	200-240 V, 50/60 Hz, 650 W	BS1363, 13A, 230V
INTERNATIONAL	665103	200-240 V, 50/60 Hz, 650 W	CEE 7/7 Schuko, 16A, 250V
AUSTRALIA	665104	200-240 V, 50/60 Hz, 650 W	AS/NZS 3112:2000, 10A, 250V
SOUTH AFRICA	665107	200-240 V, 50/60 Hz, 650 W	BS 546, 16A, 250V
ISRAEL	665108	200-240 V, 50/60 Hz, 650 W	SI 32, 16A, 250V

14.75" (375 MM) ROUND ELECTRICAL SPECIFICATIONS (SINGLE PHASE)			
IDW650L			
UNITED STATES/ CANADA	663801	100-120 V, 50/60 Hz, 650 W	NEMA 5-15P
IDW652L			
UNITED STATES/ CANADA	665001	200-240 V, 50/60 Hz, 650 W	NEMA 6-20P
UK/SAUDI ARABIA	665002	200-240 V, 50/60 Hz, 650 W	BS1363, 13A, 230V
INTERNATIONAL	665003	200-240 V, 50/60 Hz, 650 W	CEE 7/7 Schuko, 16A, 250V
AUSTRALIA	665004	200-240 V, 50/60 Hz, 650 W	AS/NZS 3112:2000, 10A, 250V
SOUTH AFRICA	665007	200-240 V, 50/60 Hz, 650 W	BS 546, 16A, 250V
ISRAEL	665008	200-240 V, 50/60 Hz, 650 W	SI 32, 16A, 250V

Dedicated circuit required for each installation.

